

The Best Combination of Balcony Energy Storage System

# ACrevPOWER SPD Series Universal EMS Controller

- SPD-EMS 1.6KW-pro +
- SPD-EMS 2.0KW-pro +



► **Description:**

The ACrevPOWER SPD Series Universal Controller is designed to simulate accurately the voltage-current curve of solar panels. It has the capability to regulate manually or automatically the output power of most microinverters from various brands, ensuring efficient integration with the main grid based on real-time energy consumption. Additionally, it enables customers to store surplus solar energy in a battery, resulting in approximately 90% self-consumption of solar energy.



Matches **90%+** brand microinverter



Zero feed in to the grid



No battery type limitation

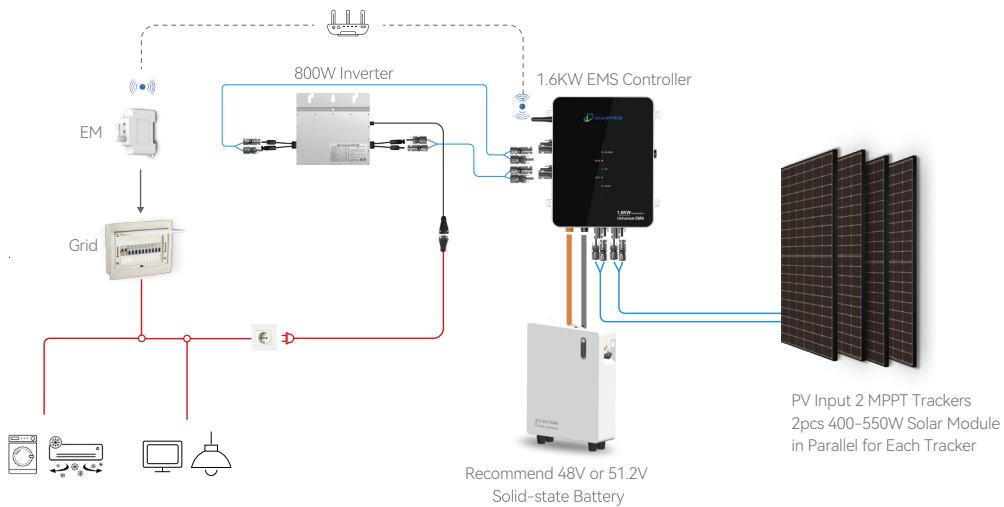


Charge and discharge simultaneously



0-1600W inverter output power adjustable

**Automatically control the output of the microinverter based on real-time power consumption.**



| Model   | SPD-EMS 2.0KW-pro +   | SPD-EMS 1.6KW-pro +     |
|---|---|-------------------------|
| <b>MPPT Solar Charger</b>                     |   |                         |
| Number of MPPT Trackers                       | 2   |                         |
| PV Operating Voltage                          | 20-60V  |                         |
| MPPT Operating Voltage Range                  | 25-50V  |                         |
| Max. PV Open Circuit Voltage                  | 60Vdc   |                         |
| Max. PV Array Power                           | 2 x 1 Tracker 1000W   | 2 x 1 Tracker 800W      |
| Standard Charging Current                     | 30A (2000W)   | 20A (1600W)             |
| Self Consumption                              | 5W  |                         |
| MPPT Tracking Efficiency                      | 99%   |                         |
| Conversion Efficiency                         | 95%   |                         |
| Protection                                    | PV-Reverse, Battery Reverse, Battery Over-Charge, Battery Over-Discharge, Controller Over-Heating                 |                         |
| <b>DC Output</b>                              |   |                         |
| DC Output Power                               | Controlled by APP   |                         |
| DC Output Port                                | 2(Independent)  |                         |
| DC Output Voltage Range                       | 20~50V  |                         |
| DC Output Max. Current                        | 2*25A   |                         |
| DC Output Max. Power                          | 2000W   | 1600W                   |
| <b>Battery</b>                                |   |                         |
| Battery Type                                  | Sealed , AGM, Gel, Flooded, Lithium , Lithium carbonate   |                         |
| Battery Voltage                               | Standard 48V(51.2V)   |                         |
| Battery Voltage Range                         | 40V-60V   |                         |
| Battery Charging Overvoltage Protection Value | 57.6V(Default)  |                         |
| Battery Discharge Voltage Protection Value    | 44V(Default)  |                         |
| <b>Communication</b>                          |   |                         |
| Communication Port                            | RS485 with battery  |                         |
| WIFI  | For APP Remote Monitoring   |                         |
| <b>Energy Management</b>                      |   |                         |
| Output Power to Microinverter                 | 2000W   | 1600W                   |
| Qty of Microinverter                          | 2pcs 1000W Microinverter  | 2pcs 800W Microinverter |
| Limited the Output Power to Microinverter     | Set up by APP or Automatically Controlled By the Tentek EM  |                         |
| Customized the Output Power at Different Time | Set up By APP   |                         |
| Controller Working Mode                       | Load priority   |                         |
| <b>Mechanical</b>                             |   |                         |
| Net Weight                                    | 5KG   |                         |
| Dimensions                                    | 300*235*70mm  |                         |
| Cooling                                       | Natural Convection-No Fans  |                         |
| Enclosure                                     | IP65  |                         |
| <b>Environment</b>                            |   |                         |
| Operating Ambient Temperature Range           | -25 °C to +65 °C(-13°F to +149 ° F )  |                         |
| Storage Temperature                           | -40 °C to +85 °C(-40 °F to +185° F )  |                         |
| Humidity                                      | 100% Non-Condensing   |                         |
| Warranty                                      | 10Years(Except for vulnerable structural parts (such as terminal blocks, panels, external wiring materials, etc.) |                         |
| <b>Certification</b>                          |   |                         |
| Safety  | CE and UL   |                         |

• **All Right Reserved:** Specifications subject to change without notice please ensure you are using the most recent update found at web: <https://microinverters.com.cn>