

The Best Combination of Balcony Energy Storage System

# ACrevPOWER SPD Series Universal EMS Controller

- SPD-EMS 1.6KW-pro +
- SPD-EMS 2.0KW-pro +



## ► Description:

The ACrevPOWER SPD Series Universal Controller is designed to simulate accurately the voltage-current curve of solar panels. It has the capability to regulate manually or automatically the output power of most microinverters from various brands, ensuring efficient integration with the main grid based on real-time energy consumption. Additionally, it enables customers to store surplus solar energy in a battery, resulting in approximately 90% self-consumption of solar energy.



Matches **90%+** brand microinverter



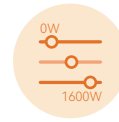
Zero feed in to the grid



No battery type limitation

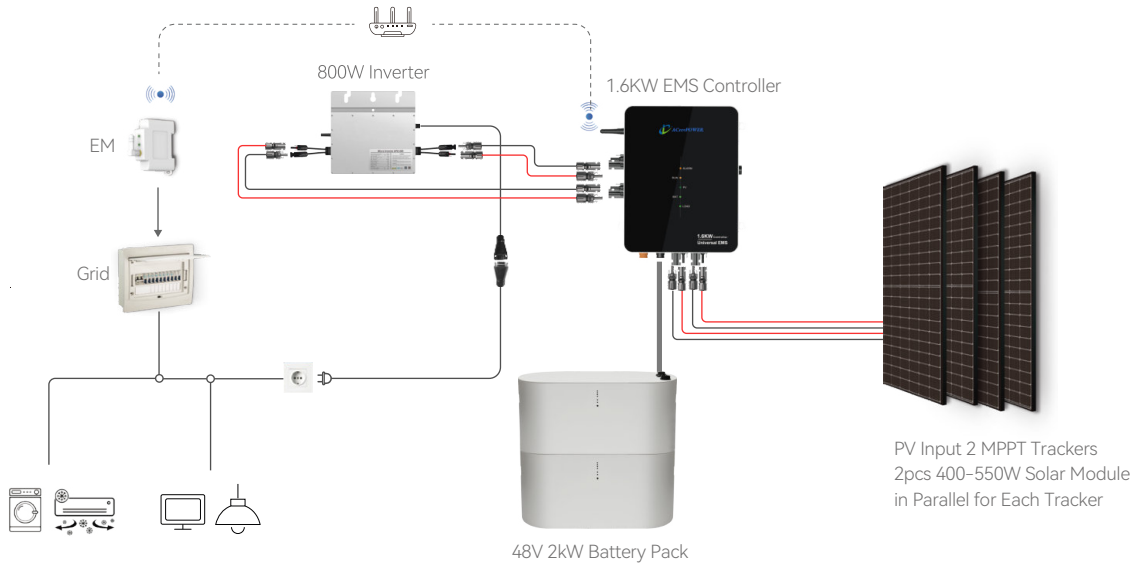


Charge and discharge simultaneously



0-1600W inverter output power adjustable

**Automatically control the output of the microinverter based on real-time power consumption.**



Model	SPD-EMS 2.0KW-pro +	SPD-EMS 1.6KW-pro +
<b>MPPT Solar Charger</b>		
Number of MPPT Trackers	2	
PV Operating Voltage	20-60V	
MPPT Operating Voltage Range	25-50V	
Max. PV Open Circuit Voltage	60Vdc	
Max. PV Array Power	2 x 1 Tracker 1000W	2 x 1 Tracker 800W
Standard Charging Current	30A (2000W)	20A (1600W)
Self Consumption	5W	
MPPT Tracking Efficiency	99%	
Conversion Efficiency	95%	
Protection	PV-Reverse, Battery Reverse, Battery Over-Charge, Battery Over-Discharge, Controller Over-Heating	
<b>DC Output</b>		
DC Output Power	Controlled by APP	
DC Output Port	2(Independent)	
DC Output Voltage Range	20~50V	
DC Output Max. Current	2*25A	
DC Output Max. Power	2000W	1600W
<b>Battery</b>		
Battery Type	Sealed , AGM, Gel, Flooded, Lithium , Lithium carbonate	
Battery Voltage	Standard 48V(51.2V)	
Battery Voltage Range	40V-60V	
Battery Charging Overvoltage Protection Value	57.6V(Default)	
Battery Discharge Voltage Protection Value	44V(Default)	
<b>Communication</b>		
Communication Port	RS485 with battery	
WIFI	For APP Remote Monitoring	
<b>Energy Management</b>		
Output Power to Microinverter	2000W	1600W
Qty of Microinverter	2pcs 1000W Microinverter	2pcs 800W Microinverter
Limited the Output Power to Microinverter	Set up by APP or Automatically Controlled By the Tentek EM	
Customized the Output Power at Different Time	Set up By APP	
Controller Working Mode	Load priority	
<b>Mechanical</b>		
Net Weight	5KG	
Dimensions	300*235*70mm	
Cooling	Natural Convection-No Fans	
Enclosure	IP65	
<b>Environment</b>		
Operating Ambient Temperature Range	-25 °C to +65 °C(-13°F to +149 ° F )	
Storage Temperature	-40 °C to +85 °C(-40 °F to +185° F )	
Humidity	100% Non-Condensing	
Warranty	10Years(Except for vulnerable structural parts (such as terminal blocks, panels, external wiring materials, etc.)	
<b>Certification</b>		
Safety	CE and UL	

• **All Right Reserved:** Specifications subject to change without notice please ensure you are using the most recent update found at web: <https://microinverters.com.cn>